



2D



Sill Light



VS1 1447

PRODUCT SPECIFICATION



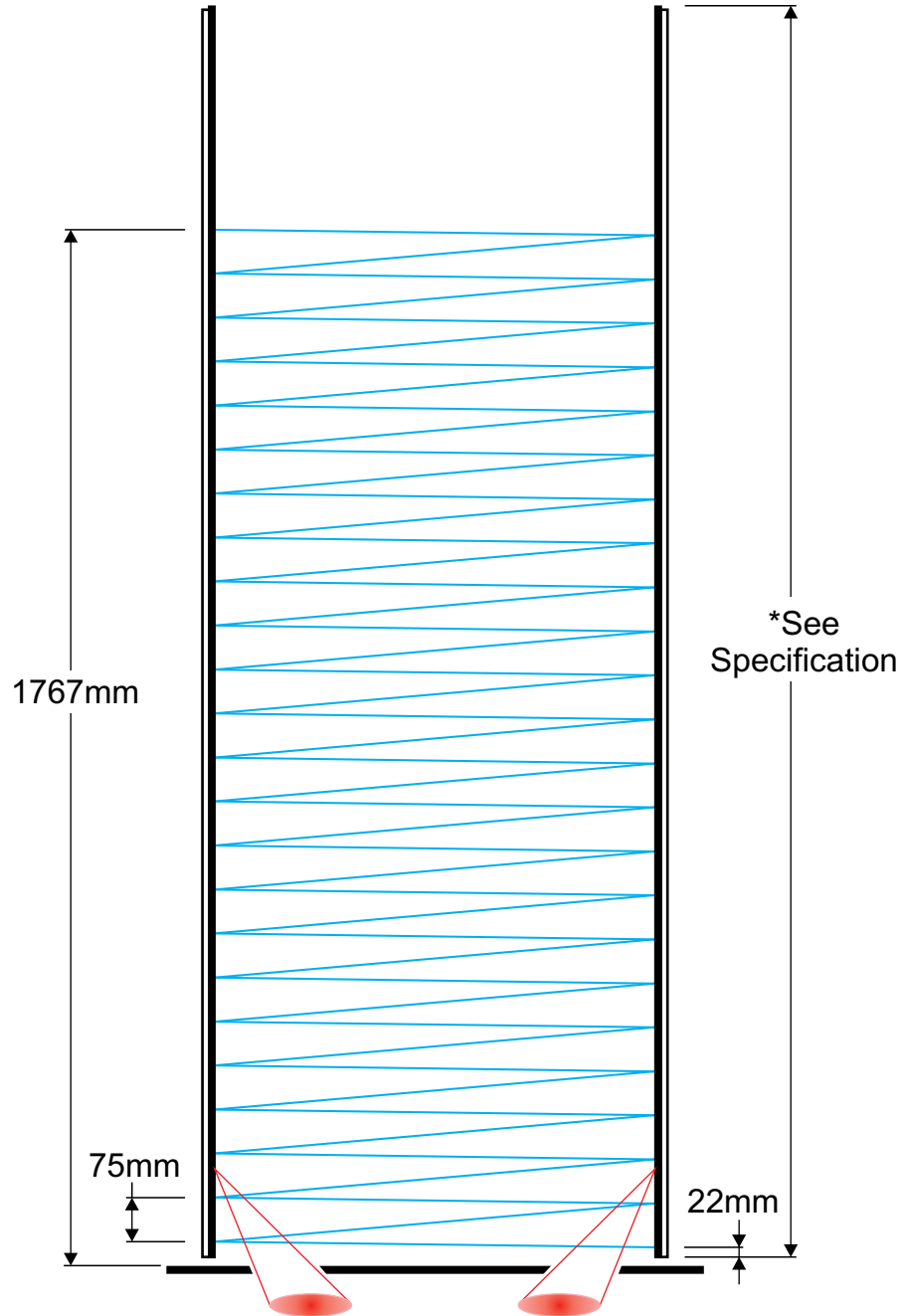
**CODE: VS1 1447 \*XX**



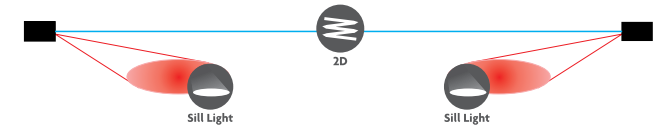
Item	Detail	Comments
 2D	Generic offset beam technology	See Patents: EP1212506 GB2254916
<b>Number of Beams</b>	47 non-focused beams	See product outline
<b>Number of LEDs</b>	24	See product outline
<b>LED Spacing</b>	75mm	See product outline
 Sill Light	Trip hazard illuminator	Switch Selectable. Patent applied for.
<b>Response Time</b>	100 ms (nominal)	Relates to point of detection in scan cycle
<b>Range of Detection</b>	0 – 1800 mm	Dynamic installation only
<b>Light Immunity</b>	>100,000 lux	
<b>Angular Displacement</b>	10°	
<b>Alignment Tolerance</b>	>10 mm vertical >10 mm horizontal	
<b>Power Failure Mode</b>	Door signals defaults to open status	Cable disconnect or break
<b>Operating Voltage</b>	24 volts (nominal) DC	18 volts min, 30 volts max DC
<b>Current Consumption</b>	130 mA Max RMS 90 mA Power save mode	Total both units
<b>Environmental Protection</b>	IP54	Conformal coated electronic components
<b>Operating Temperature Range</b>	-20°C to +70°C	
<b>Storage Temperature Range</b>	-40° to +80°C	
<b>Unit Size</b>	20mm x 30mm x *XX Height	*XX 01 = 2.02m 02 = 2.13m
<b>Cable Supplied</b>	2 x 4m & 1 x 2m extension	
<b>Case Material</b>	Aluminium Alloy	Extrusion, Black Anodised
<b>Cover (filter)</b>	Infra-red transparent plastic	Extruded PVC
<b>Installation Kit</b>	Instructions Door Mount Brackets Qty 10 Slam Mount Bracket Qty 1 Cable Clips Qty 10 Door Cable Retainer Qty 2 Drill Bit 3.6mm Qty 1	Installation kit is inclusive of screws fastners etc.
<b>Packaging</b>	Tube 100mm diameter	
<b>System Markings</b>	cULus, CE	EN12015, EN12016, EN81-70



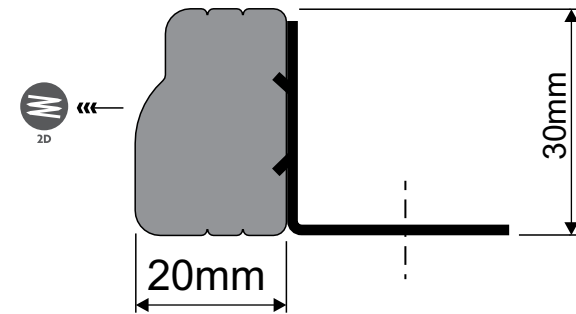
### ENTRANCE VIEW



### PLAN VIEW



#### Door Mount Configuration



#### Slam Mount Configuration

